

Cartridge Globe Valve Actuators

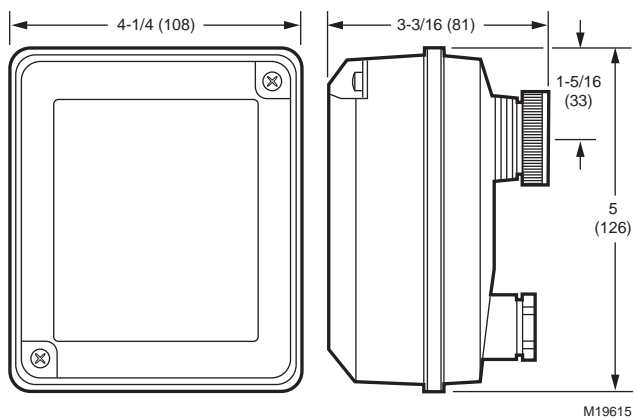
M6435; M7435 Cartridge Globe Valve Actuator



Cartridge Globe Valve Spring Return Actuators are small electric actuators for individual room control that provide floating or modulating control of V5852, V5862 two-way or V5853, V5863 three-way valves.

- Stem actuator retracts up on power failure
- Fail safe mode depends on valve seat rest position
- Suitable for Excel/IRC system or other controllers providing specified signals
- Magnetic coupling for torque limitation independent of voltage supply and self-adjustment of the close-off port
- No mounting tools required
- Compact size allows installation in limited space of fan coil units, induction units, and small reheaters or recoolers
- Visual position indication (red disk)

Dimensions in inches (millimeters)



Actuator Type: Valve

Fail Safe Mode: Spring Return, operator retracts up; (Normally open for 1/2 in. and 3/4 in. V5852 and V5862. Normally closed for all other V58XX valves.)

Spring Return Timing (Nominal (sec.)): 10 sec.

Spring Return Direction: Stem up

Cable Entry: Threaded conduit connector

Electrical Protection: Class I Insulation (24 Vac)

Electrical Connections: Screw terminals

Ingress Protection Rating: IP54

Feedback: No

Frequency: 50 Hz; 60 Hz

Timing (seconds): Nominal Driving @ 60 Hz: 50 sec.

Number of Internal Auxiliary Switch: 0

Manual operation: None (use valve dust cap)

Mounting: Threads onto V58XX valve bonnet

Stroke: 1/4 in. (6 mm)

Supply Voltage: 24 Vac +20%, -15%

Materials: Low Maintenance Plastic Housing

Operating Humidity Range (% RH): 5 to 95% RH

Medium Temperature: 266 F Maximum (130 C Maximum)

Ambient Temperature Range: 32 F to 122 F (0 C to 50 C)

Storage Temperature Range: -40 F to +158 F (-40 C to +70 C)

Weight: 1.1 lb (0.5 kg)

Includes: 1/2 in. conduit hub

Approvals

Underwriters Laboratories, Inc: UL94-5V

Product Number	Control Signal	Power Consumption	Input Impedance	(Rated) Stem Force		Spring Return Torque		Comments	Used With
		(Driving)		(lb-in.)	(Nm)	(lb-in.)	(Nm)		
M6435A1004	SPDT; Floating; Two position	10 VA	—	40.5 lbf	180 N	40.5 bf	180 N	—	1/2 inch and 3/4 inch V58XX Globe Valves
M6435A3000	SPDT; Floating; Two position	10 VA	—	90 bf	400 N	90 lbf	400 N	High force for metal-seated valves	1 inch to 1-1/2 inch V58XX Globe Valves
M7435F1001	2 to 10 Vdc; 0 to 10 Vdc	5 VA	100K ohm	40.5 lbf	180 N	40.5 bf	180 N	Direct/Reverse Acting Switch	1/2 inch and 3/4 inch V58XX Globe Valves
M7435F3007	2 to 10 Vdc; 0 to 10 Vdc	5 VA	100K ohm	90 bf	400 N	90 lbf	400 N	High force for metal-seated valves; Direct/Reverse Acting Switch	1 inch to 1-1/2 inch V58XX Globe Valves